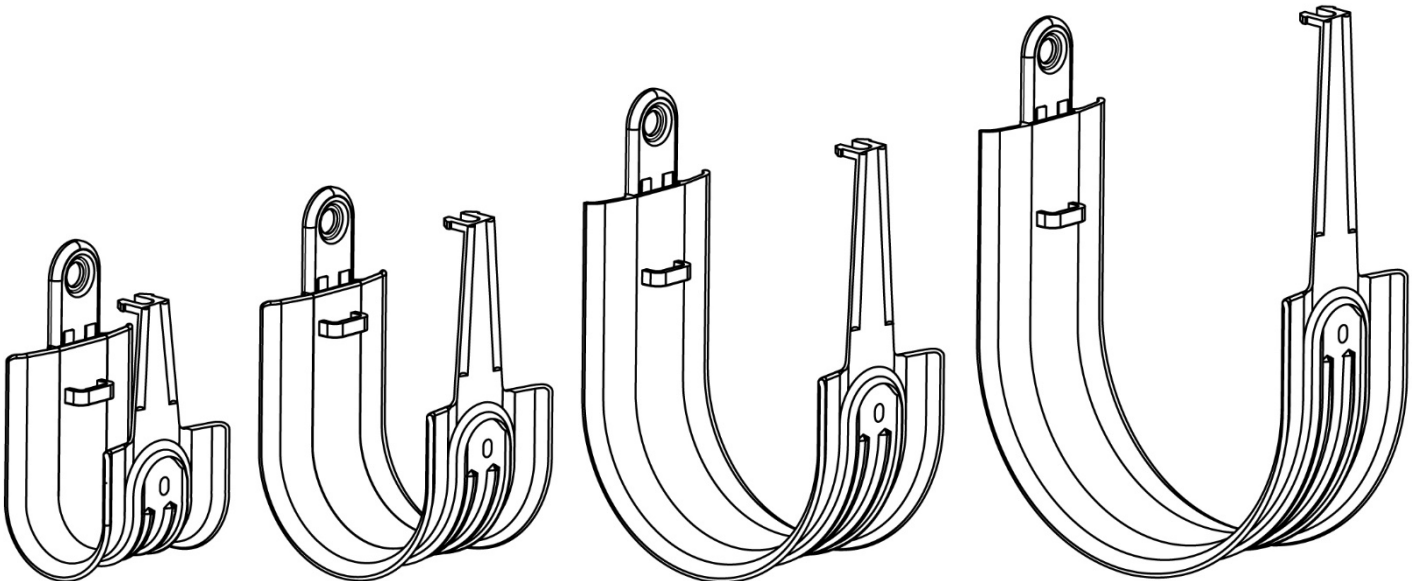


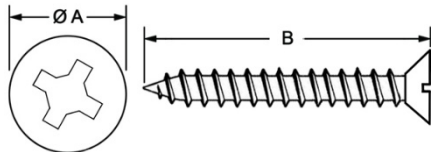


HPH Series J-Hook Installation Instructions

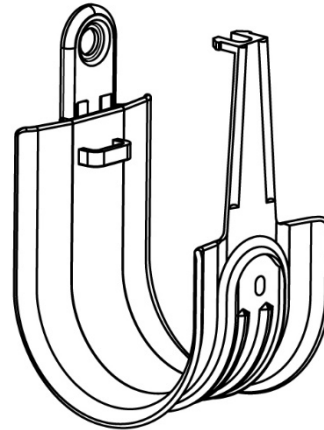


**Mounting to a vertical surface: HPH16, HPH32, HPH48 and HPH64**

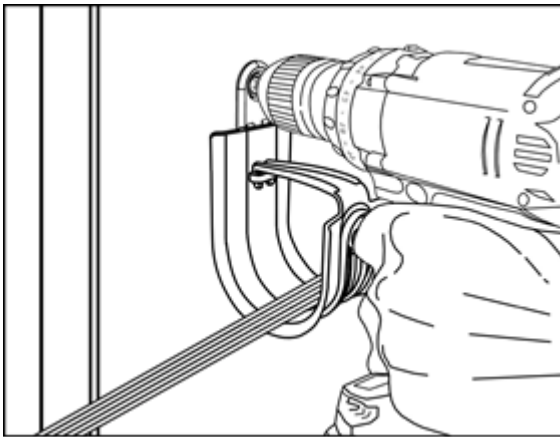
Use a nail\*, bolt\* or screw\* with a minimum head diameter of 0.329" (Fig.1-A) and an appropriate length for the substrate (Fig.1-B) to fasten the HPH J-Hook (Fig.2) to the vertical surface (Fig.3). Insert the cables and close the latch as shown in Fig.3. The latch must be in the closed position as shown in Fig.4 to secure the cables and complete the installation.



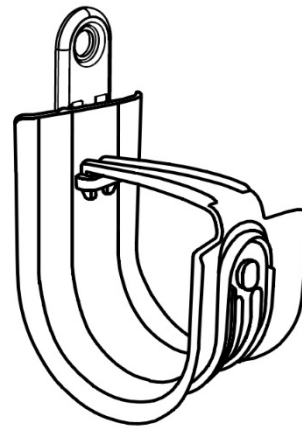
**Fig.1**



**Fig.2**



**Fig.3**



**Fig.4**

Part No.	Hook Size	Fig. No.	UL Load Rating		Description
			LBS.	N	
HPH16	1"	2 & 4	20	88.96	1" Standard HPH J-Hook, size 16
HPH32	2"		17	75.62	2" Standard HPH J-Hook, size 32
HPH48	3"		20	88.96	3" Standard HPH J-Hook, size 48
HPH64	4"		17	75.62	4" Standard HPH J-Hook, size 64

**Mounting to a rod or ceiling wire with a Multi-Function Clip-Batwing: HPH16W, HPH32W, HPH48W and HPH64W**

HPHXXW J-Hooks (Fig.1) are pre-assembled to Multi-Function Clip-Batwings at the factory using a fastener such as a rivet or a zinc plated 1/4-20 x 3/8" pan head Phillips machine bolt and a grade A 1/4-20 hex Nylon locknut (Fig.2). A plain HPH J-Hook may be assembled to a UL listed batwing clip in the field with the use of a similar fastener. Depress the batwing between your fingers (Fig. 3). Attach the HPHXXW to 12 gauge ceiling wire or 1/4" threaded rod (Fig.4 and Fig.6). Insert the cables and close the latch (Fig.5 and Fig.7). The latch must be in the closed position as shown in Fig.8 to secure the cables and complete the installation.

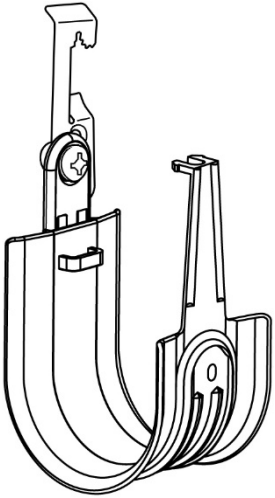


Fig. 1

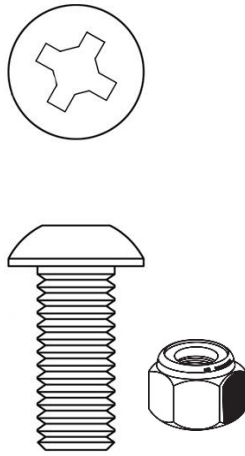


Fig. 2

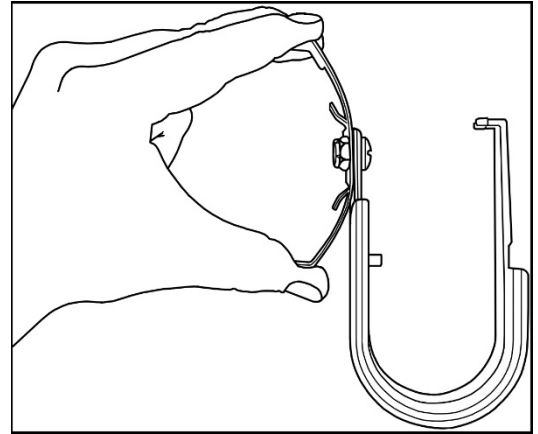


Fig. 3

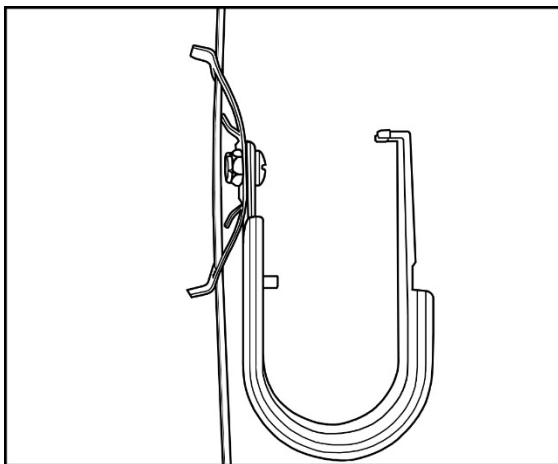


Fig. 4

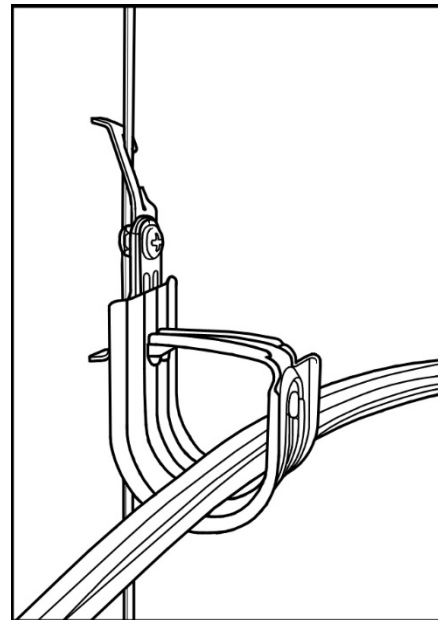


Fig. 5

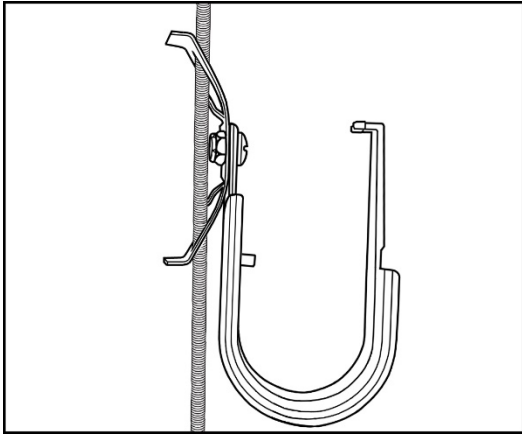


Fig. 6

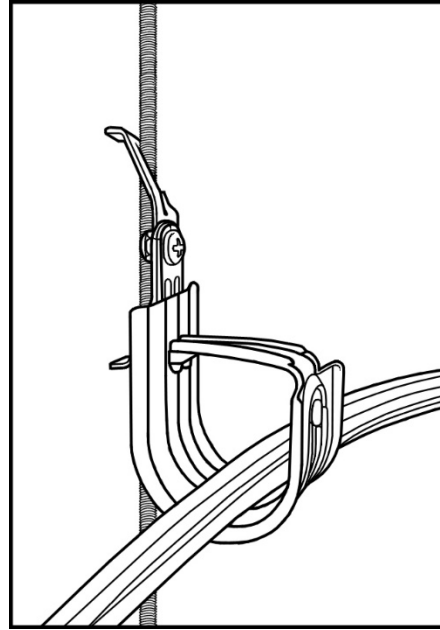


Fig. 7

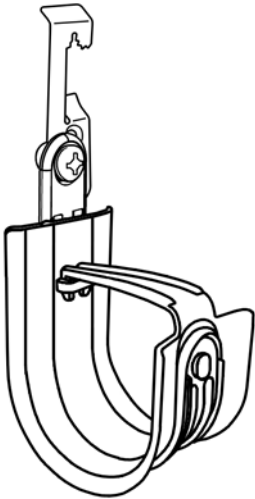


Fig. 8

Part No.	Hook Size	Fig. No.	UL Load Rating		Description
			LBS.	N	
HPH16W	1"	1 & 8	20	88.96	1" Batwing HPH J-Hook, size 16
HPH32W	2"		20	88.96	2" Batwing HPH J-Hook, size 32
HPH48W	3"		20	88.96	3" Batwing HPH J-Hook, size 48
HPH64W	4"		20	88.96	4" Batwing HPH J-Hook, size 64

**Mounting to a rod or a horizontal surface with an Angle Clip 90°: HPH16AC, HPH16AC6, HPH32AC, HPH32AC6, HPH48AC, HPH48AC6, HPH64AC & HPH64AC6**

HPHXXAC and HPHXXAC6 J-Hooks (Fig.1 and Fig.2) are pre-assembled to Angle Clips 90° at the factory using a fastener such as a rivet or a zinc plated 1/4"-20 x 3/8" pan head Phillips machine bolt and a grade A 1/4"-20 hex Nylon locknut (Fig.3). A plain HPH J-Hook may be assembled to a Platinum Tools Angle Clip 90° in the field using a similar fastener. Fasten the HPHXXAC or HPHXXAC6 to 1/4" or 3/8" threaded rod using two standard hex nuts (Fig.4). Thread a single nut up to the desired location of the threaded rod. Guide the HPHXXAC or HPHXXAC6 onto the threaded rod. Thread a second nut onto the threaded rod and tighten to the first nut, thereby sandwiching the Angle Clip 90° between the two nuts (Fig.5). An HPHXXAC or an HPHXXAC6 may be fastened directly to the underside of a horizontal surface using an appropriate fastener\* (Fig.6). Use a fastener with an appropriate head diameter (Fig.7-A) and an appropriate length for the substrate (Fig.7-B). Place the cables in the hook and close the latch as shown in Fig.5 and Fig.6. The latch must be in the closed position as shown in Fig.8 and Fig.9 to secure the cables and complete the installation.

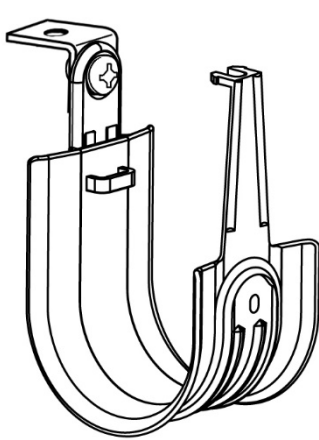


Fig. 1

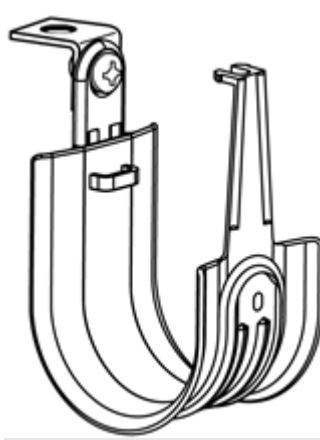


Fig. 2

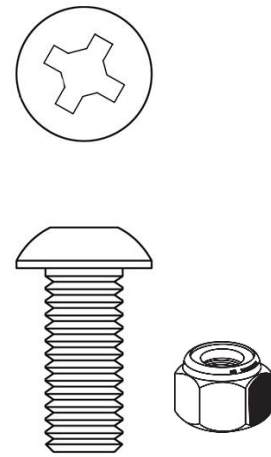


Fig. 3

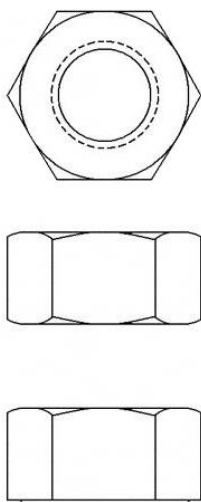


Fig. 4

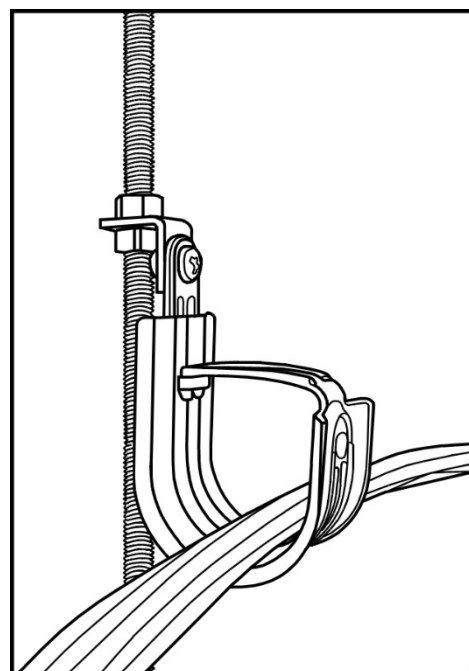


Fig. 5

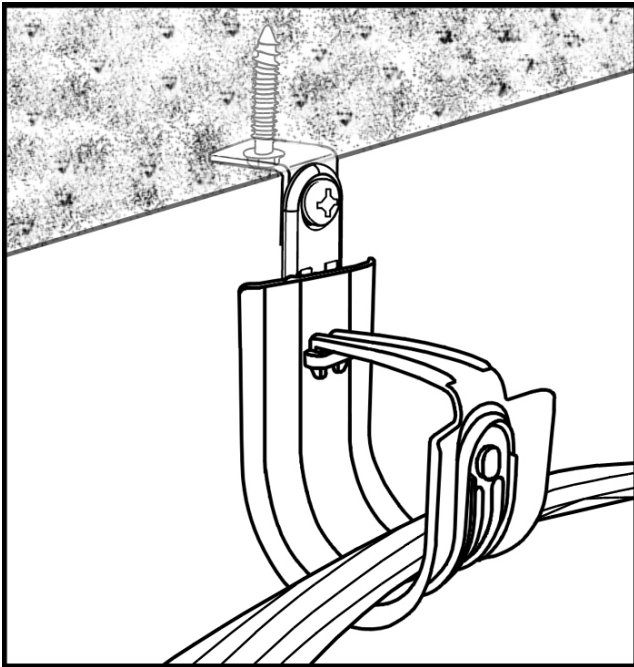


Fig. 6

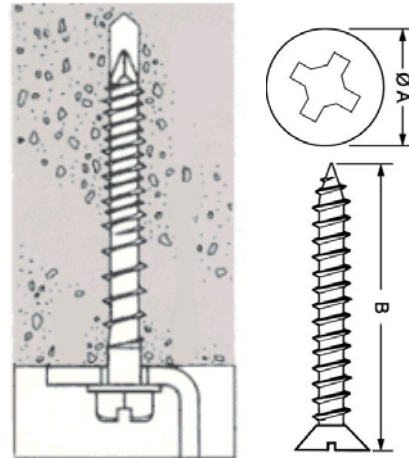


Fig. 7

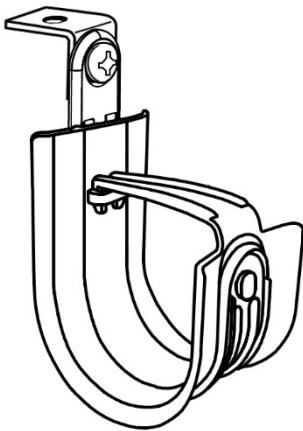


Fig. 8

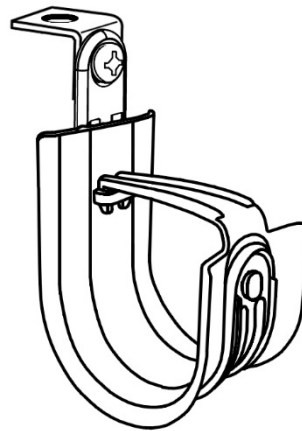
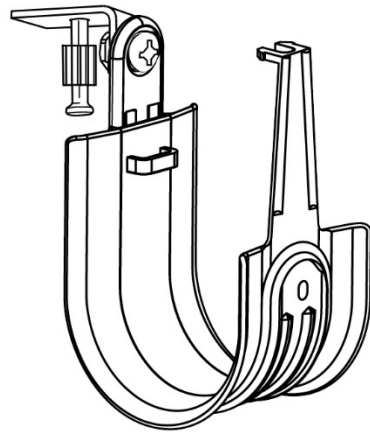


Fig. 9

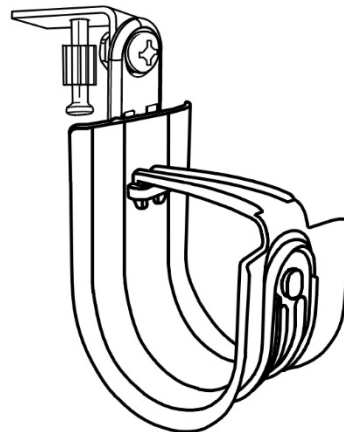
Part No.	Hook Size	Fig. No.	UL Load Rating		Angle Clip Hole Size	Description
			LBS.	N		
HPH16AC	1"	1	20	88.96	1/4"	1" 90° Angle HPH J-Hook, size 16
HPH16AC6	1"	2	20	88.96	3/8"	1" 90° Angle/6 HPH J-Hook, size 16
HPH32AC	2"	1	20	88.96	1/4"	2" 90° Angle HPH J-Hook, size 32
HPH32AC6	2"	2	20	88.96	3/8"	2" 90° Angle/6 HPH J-Hook, size 32
HPH48AC	3"	1	20	88.96	1/4"	3" 90° Angle HPH J-Hook, size 48
HPH48AC6	3"	2	20	88.96	3/8"	3" 90° Angle/6 HPH J-Hook, size 48
HPH64AC	4"	1	20	88.96	1/4"	4" 90° Angle HPH J-Hook, size 64
HPH64AC6	4"	2	20	88.96	3/8"	4" 90° Angle/6 HPH J-Hook, size 64

**Mounting to a horizontal surface with an Angle Clip 90° w/Powder Actuated Nail (PAN): HPH16ACPA, HPH32ACPA, HPH48ACPA and HPH64ACPA**

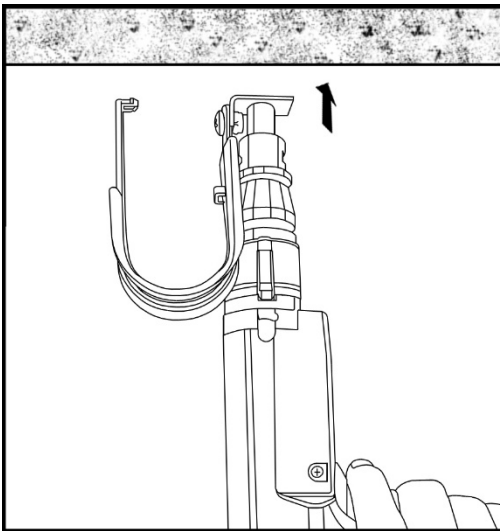
Use a powder actuated tool\* to install the 1-5/16" pin into an appropriate material such as concrete as shown in Fig. 3 & 4.



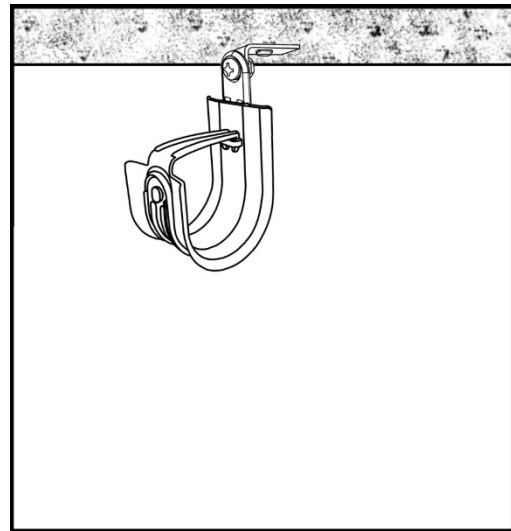
**Fig.1**



**Fig.2**



**Fig.3**



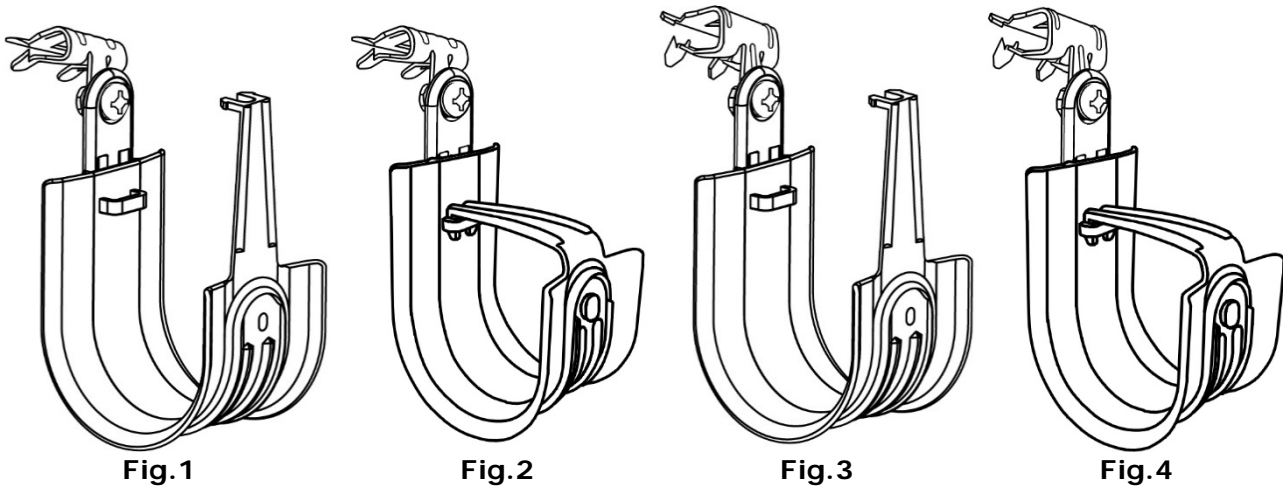
**Fig.4**

Part No.	Hook Size	Fig. No.	Load Rating		Description
			LBS.	N	
HPH16ACPA	1"	1 & 2	20	88.96	1" 90° Angle w/PAN HPH J-Hook, size 16
HPH32ACPA	2"		20	88.96	2" 90° Angle w/PAN HPH J-Hook, size 32
HPH48ACPA	3"		20	88.96	3" 90° Angle w/PAN HPH J-Hook, size 48
HPH64ACPA	4"		20	88.96	4" 90° Angle w/PAN HPH J-Hook, size 64

**Mounting to a beam with an HOK24 or HOK58 Hammer-On Beam Clamp: HPH16HOK24, HPH16HOK58, HPH32HOK24, HPH32HOK58, HPH48HOK24, HPH48HOK58, HPH64HOK24 and HPH64HOK58**

Secure a Hammer-On Beam Clamp to a flange using a hammer as shown in Fig. 5 & Fig. 6 below.

Note: The HOK-24 is designed for flanges from 1/8" to 1/4" thick; the HOK-58 is designed for flanges from 5/16" to 1/2" thick.



Part No.	Hook Size	Fig. No.	UL Load Rating		Designed for flanges	Description
			LBS.	N		
HPH16HOK24	1"	1 & 2	20	88.96	1/8" - 1/4"	1" Hammer-On HPH J-Hook, 1/8"-1/4" flange, size 16
HPH16HOK58	1"	3 & 4	20	88.96	5/16" - 1/2"	1" Hammer-On HPH J-Hook, 5/16"-1/2" flange, size 16
HPH32HOK24	2"	1 & 2	17	75.62	1/8" - 1/4"	2" Hammer-On HPH J-Hook, 1/8"-1/4" flange, size 32
HPH32HOK58	2"	3 & 4	17	75.62	5/16" - 1/2"	2" Hammer-On HPH J-Hook, 5/16"-1/2" flange, size 32
HPH48HOK24	3"	1 & 2	20	88.96	1/8" - 1/4"	3" Hammer-On HPH J-Hook, 1/8"-1/4" flange, size 48
HPH48HOK58	3"	3 & 4	20	88.96	5/16" - 1/2"	3" Hammer-On HPH J-Hook, 5/16"-1/2" flange, size 48
HPH64HOK24	4"	1 & 2	17	75.62	1/8" - 1/4"	4" Hammer-On HPH J-Hook, 1/8"-1/4" flange, size 64
HPH64HOK58	4"	3 & 4	17	75.62	5/16" - 1/2"	4" Hammer-On HPH J-Hook, 5/16"-1/2" flange, size 64

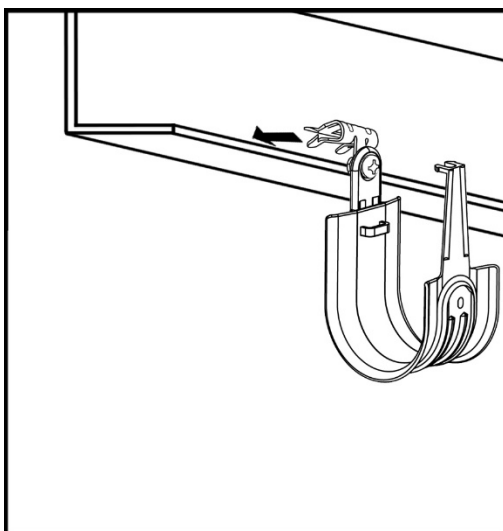


Fig.5

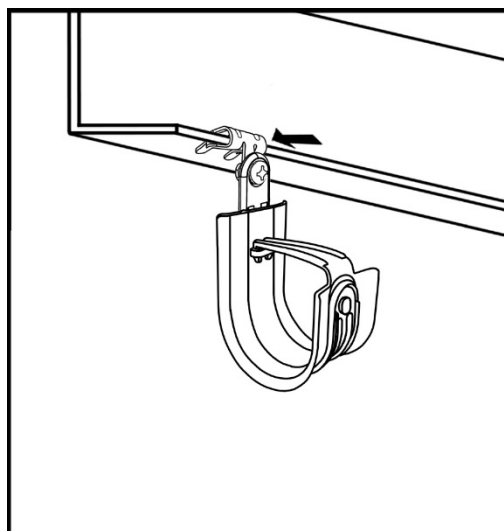


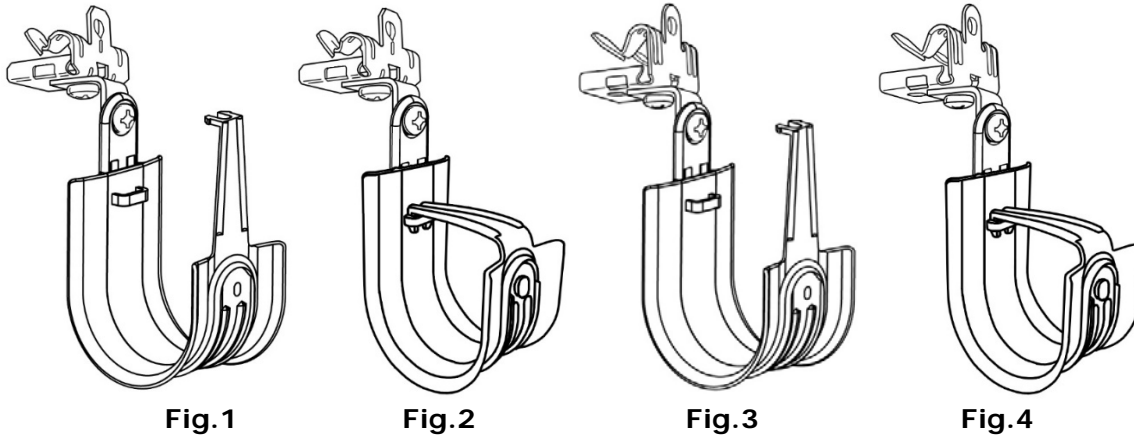
Fig.6



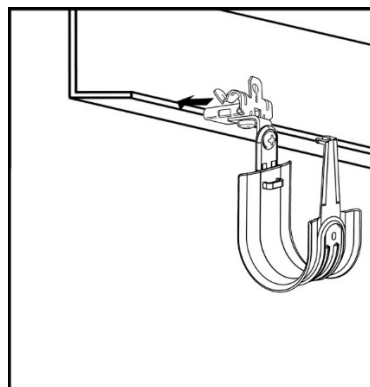
**Mounting to a beam with an FM24 or FM58 Hammer-On Beam Clamp: HPH16ACFM24, HPH16ACFM58, HPH32ACFM24, HPH32ACFM58, HPH48ACFM24, HPH48ACFM58, HPH64ACFM24 and HPH64ACFM58**

Secure a knock-on beam clamp to a flange using a hammer as shown in Fig. 5 & Fig. 6 below.

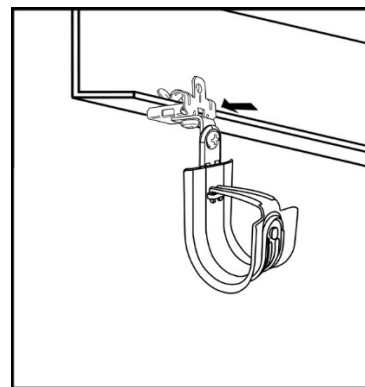
Note: The ACFM24 is designed for flanges from 1/8" to 1/4" thick. The ACFM58 is designed for flanges from 5/16" to 1/2" thick. Both the ACFM24 & ACFM58 can be rotated 360°.



Part No.	Hook Size	Fig. No.	UL Load Rating		Designed for flanges	Description
			LBS.	N		
HPH16ACFM24	1"	1 & 2	20	88.96	1/8" - 1/4"	1" Hammer-On HPH J-Hook, Swivels 360°, 1/8"-1/4" Flange, size 16
HPH16ACFM58	1"	3 & 4	20	88.96	5/16" - 1/2"	1" Hammer-On HPH J-Hook, Swivels 360°, 5/16" - 1/2" Flange, size 16
HPH32ACFM24	2"	1 & 2	20	88.96	1/8" - 1/4"	2" Hammer-On HPH J-Hook, Swivels 360°, 1/8"-1/4" Flange, size 32
HPH32ACFM58	2"	3 & 4	20	88.96	5/16" - 1/2"	2" Hammer-On HPH J-Hook, Swivels 360°, 5/16" - 1/2" Flange, size 32
HPH48ACFM24	3"	1 & 2	20	88.96	1/8" - 1/4"	3" Hammer-On HPH J-Hook, Swivels 360°, 1/8"-1/4" Flange, size 48
HPH48ACFM58	3"	3 & 4	20	88.96	5/16" - 1/2"	3" Hammer-On HPH J-Hook, Swivels 360°, 5/16" - 1/2" Flange, size 48
HPH64ACFM24	4"	1 & 2	20	88.96	1/8" - 1/4"	4" Hammer-On HPH J-Hook, Swivels 360°, 1/8"-1/4" Flange, size 64
HPH64ACFM58	4"	3 & 4	20	88.96	5/16" - 1/2"	4" Hammer-On HPH J-Hook, Swivels 360°, 5/16" - 1/2" Flange, size 64



**Fig.5**

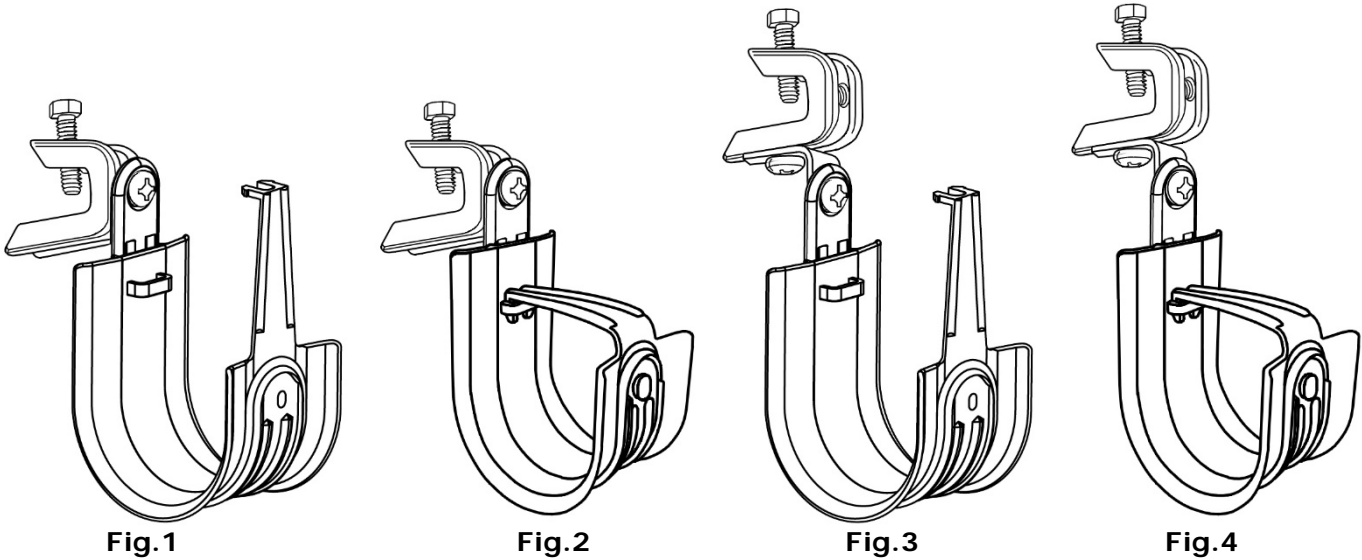


**Fig.6**

**Mounting to a beam with a BC Beam Clamp: HPH16BC, HPH16ACBC, HPH32BC, HPH32ACBC, HPH48BC, HPH48ACBC, HPH64BC and HPH64ACBC**

Secure a screw-on beam clamp to a flange using a 3/8" socket driver or wrench as shown in Fig.5, 6, 7, & 8 below. Tighten the bolt to 20 in-lb.

Note: The BC & ACBC's are designed for flanges up to 1/2" thick. The ACBC can be rotated 360°.



Part No.	Hook Size	Fig. No.	UL Load Rating LBS.   N		Designed for flanges	Description
HPH16BC	1"	1 & 2	20	88.96	1/8" - 1/2"	1" Beam Clamp HPH J-Hook, Size 16
HPH16ACBC	1"	3 & 4	20	88.96		1" Swivel 360° Beam Clamp HPH J-Hook, size 16
HPH32BC	2"	1 & 2	17	75.62		2" Beam Clamp HPH J-Hook, Size 32
HPH32ACBC	2"	3 & 4	20	88.96		2" Swivel 360° Beam Clamp HPH J-Hook, size 32
HPH48BC	3"	1 & 2	20	88.96		3" Beam Clamp HPH J-Hook, Size 48
HPH48ACBC	3"	3 & 4	20	88.96		3" Swivel 360° Beam Clamp HPH J-Hook, size 48
HPH64BC	4"	1 & 2	17	75.62		4" Beam Clamp HPH J-Hook, Size 64
HPH64ACBC	4"	3 & 4	20	88.96		4" Swivel 360° Beam Clamp HPH J-Hook, size 64

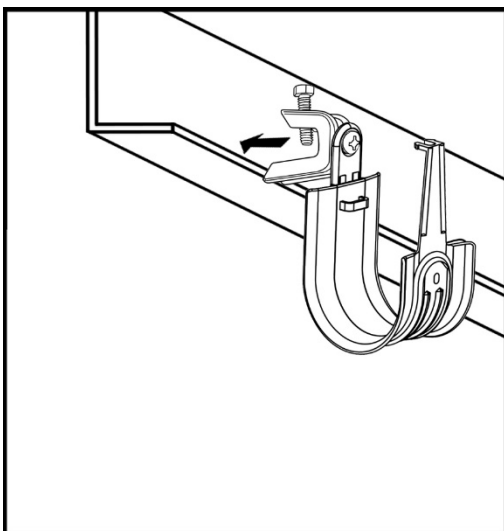


Fig.5

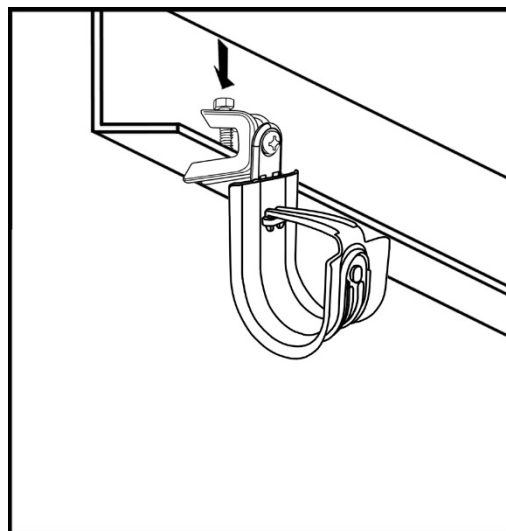


Fig.6

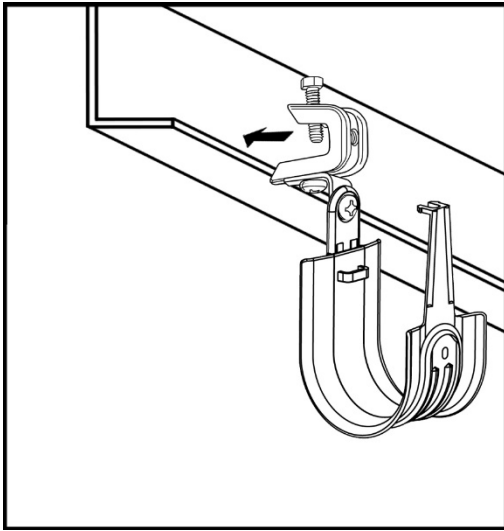


Fig.7

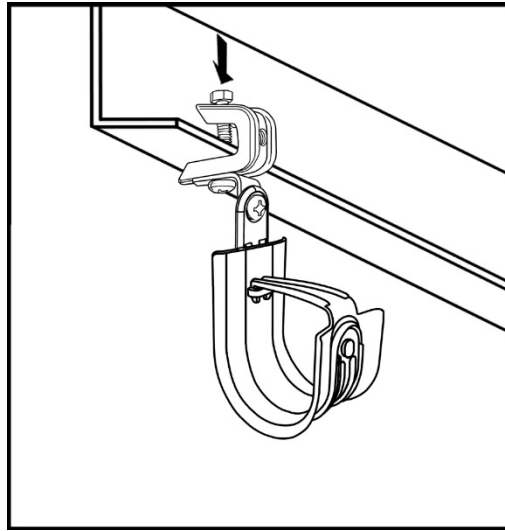


Fig.8

**Mounting to a beam with an SSBC Spring Steel Beam Clamp: HPH16SSBC, HPH16ACSSBC, HPH32SSBC, HPH32ACSSBC, HPH48SSBC, HPH48ACSSBC, HPH64SSBC and HPH64ACSSBC**

Secure a screw-on beam clamp to a flange using a 3/8" socket driver, wrench or Phillips head screw driver as shown in Fig. 5, 6, & 8 below. Tighten the bolt to 20 in-lb.

Note: The SSBC & ACSSBC's are designed for flanges up to 1/2" thick. The ACSSBC can be rotated 360°.

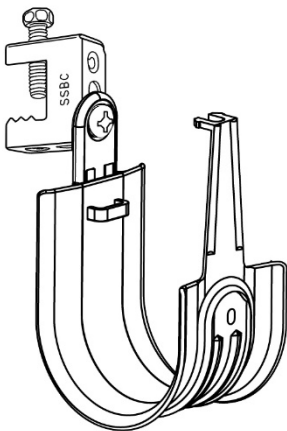


Fig.1

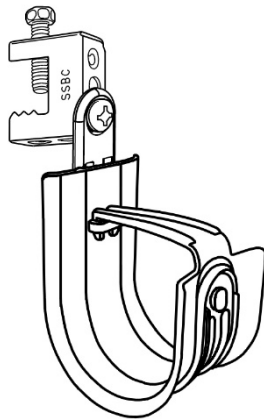


Fig.2

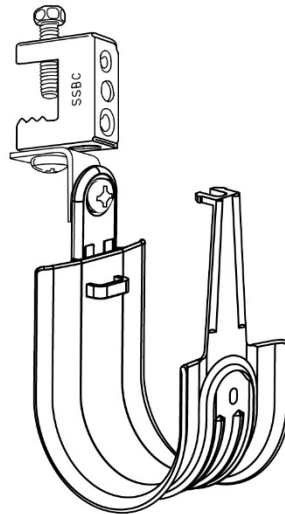


Fig.3

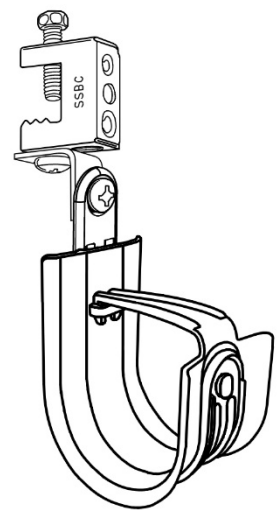
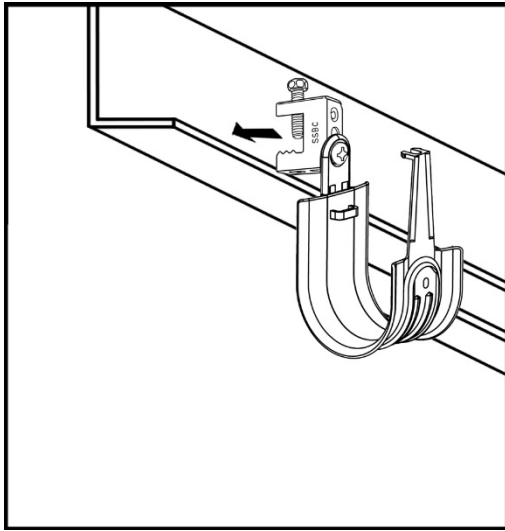
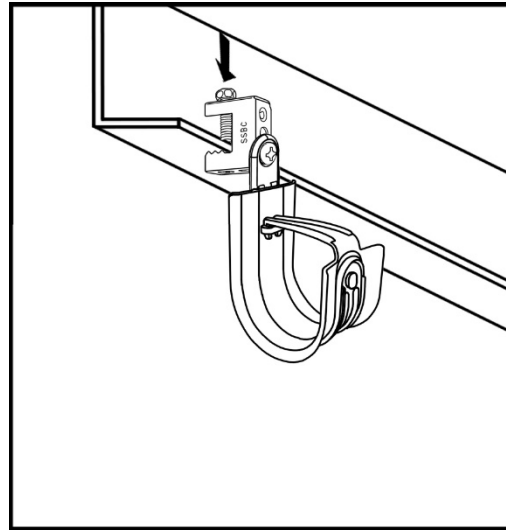


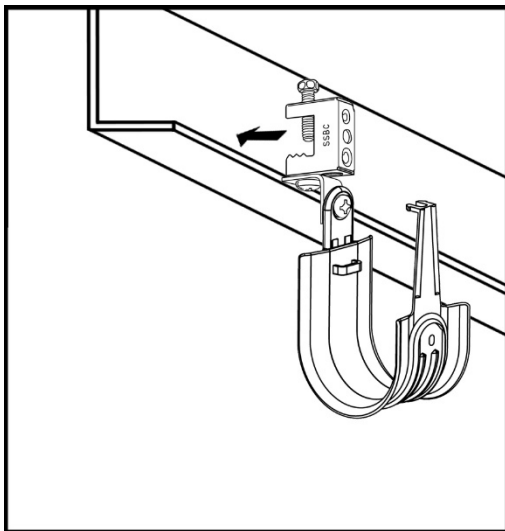
Fig.4



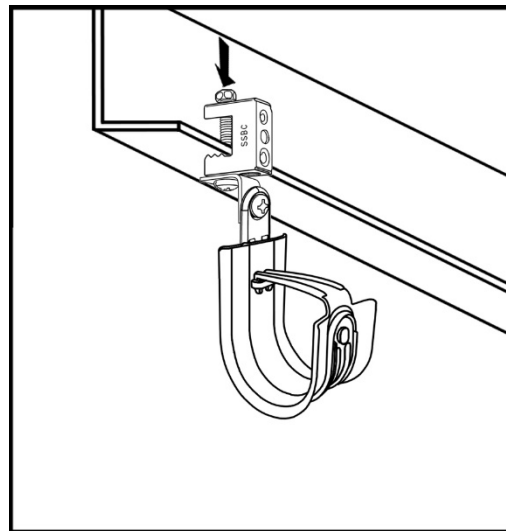
**Fig.5**



**Fig.6**



**Fig.7**



**Fig.8**

Part No.	Hook Size	Fig. No.	UL Load Rating LBS.   N		Designed for flanges	Description
HPH16SSBC	1"	1 & 2	20	88.96	1/8" - 1/2"	1" Spring Steel Beam Clamp HPH J-Hook, size 16
HPH16ACSSBC	1"	3 & 4	20	88.96		1" Swivel 360° Spring Steel Beam Clamp HPH J-Hook, size 16
HPH32SSBC	2"	1 & 2	17	75.62		2" Spring Steel Beam Clamp HPH J-Hook, size 32
HPH32ACSSBC	2"	3 & 4	20	88.96		2" Swivel 360° Spring Steel Beam Clamp HPH J-Hook, size 32
HPH48SSBC	3"	1 & 2	20	88.96		3" Spring Steel Beam Clamp HPH J-Hook, size 48
HPH48ACSSBC	3"	3 & 4	20	88.96		3" Swivel 360° Spring Steel Beam Clamp HPH J-Hook, size 48
HPH64SSBC	4"	1 & 2	17	75.62		4" Spring Steel Beam Clamp HPH J-Hook, size 64
HPH64ACSSBC	4"	3 & 4	20	88.96		4" Swivel 360° Spring Steel Beam Clamp HPH J-Hook, size 64

**Mounting to a joist with an Angled Overhang (AO) or Vertical Overhang (VO) spring steel clip: HPH16AO, HPH16VO, HPH32AO, HPH32VO, HPH48AO, HPH48VO, HPH64AO and HPH64VO**

Secure an AO spring steel "Z" purlin clip or a VO14 "C" purlin clip to a joist using a hammer as shown in Fig. 5, 6, 7, & 8 below.

Note: The AO14 is designed for flanges 1/8" - 1/4" thick.

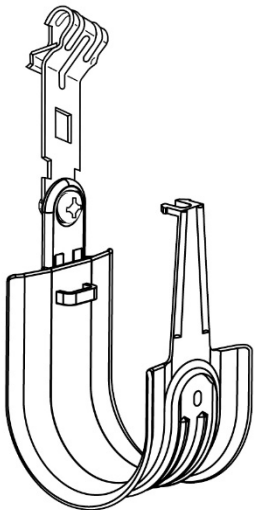


Fig.1

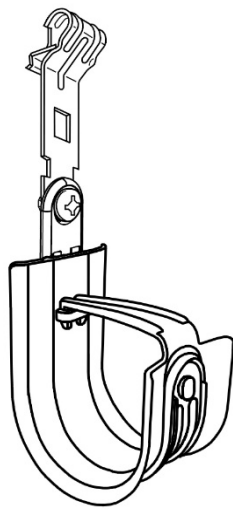


Fig.2

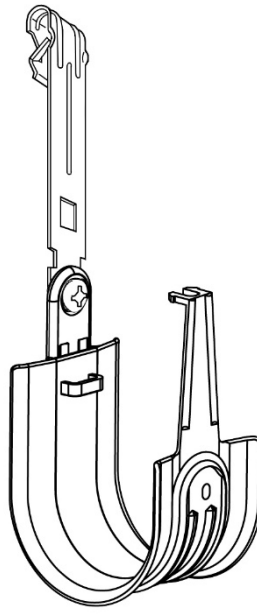


Fig.3

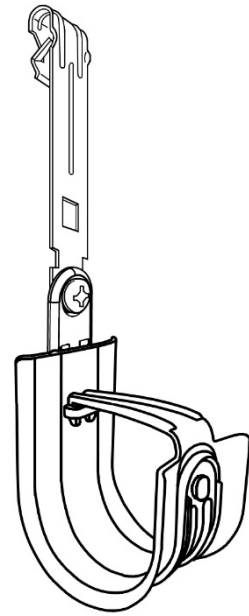


Fig.4

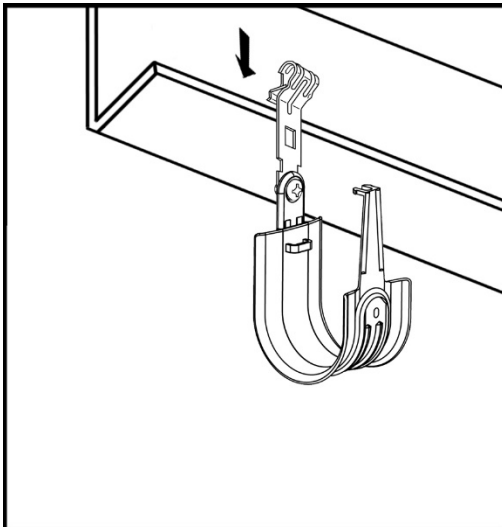


Fig.5

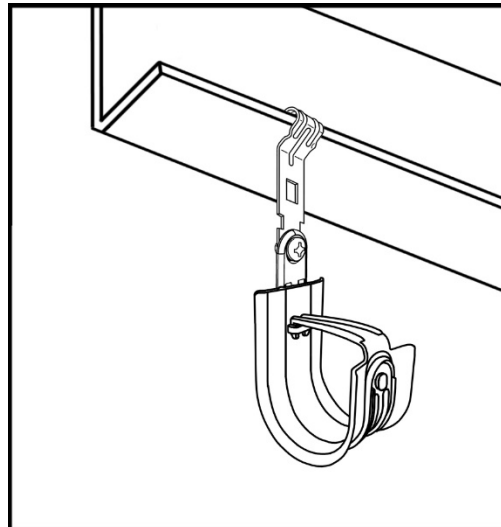


Fig.6

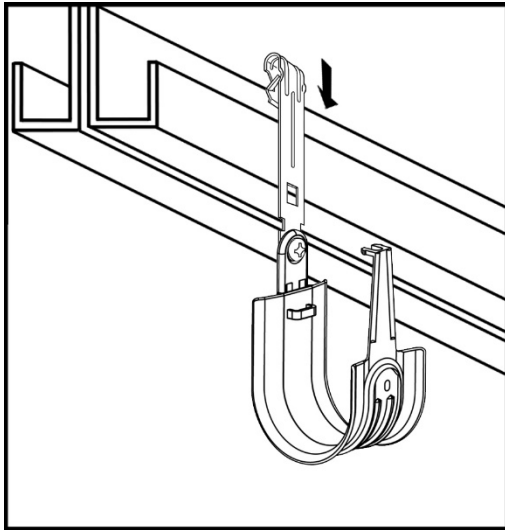


Fig.7

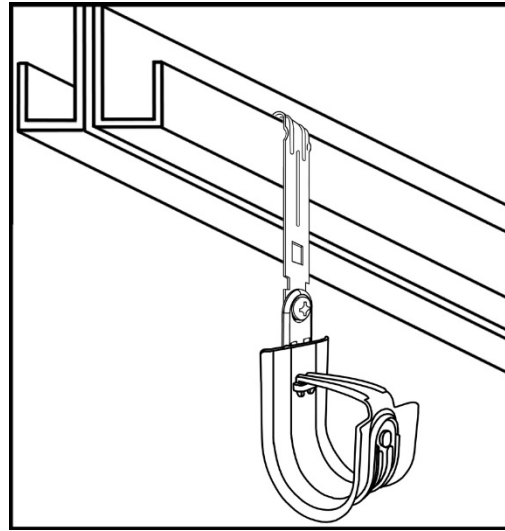


Fig.8

Part No.	Hook Size	Fig. No.	UL Load Rating LBS.   N		Designed for flanges	Description
HPH16AO	1"	1 & 2	20	88.96	1/8" - 1/4"	1" Angled Overhang HPH J-Hook, size 16
HPH16VO	1"	3 & 4	20	88.96		1" Vertical Overhang HPH J-Hook, size 16
HPH32AO	2"	1 & 2	17	75.62		2" Angled Overhang HPH J-Hook, size 32
HPH32VO	2"	3 & 4	17	75.62		2" Vertical Overhang HPH J-Hook, size 32
HPH48AO	3"	1 & 2	20	88.96		3" Angled Overhang HPH J-Hook, size 48
HPH48VO	3"	3 & 4	20	88.96		3" Vertical Overhang HPH J-Hook, size 48
HPH64AO	4"	1 & 2	17	75.62		4" Angled Overhang HPH J-Hook, size 64
HPH64VO	4"	3 & 4	17	75.62		4" Vertical Overhang HPH J-Hook, size 64

**Mounting to threaded rod with a female threaded eye coupling: HPH16EH, HPH32EH, HPH48EH and HPH64EH**

Thread the eye coupling on to ¼-20 threaded rod as shown in Fig. 3, 4 & 5 below.

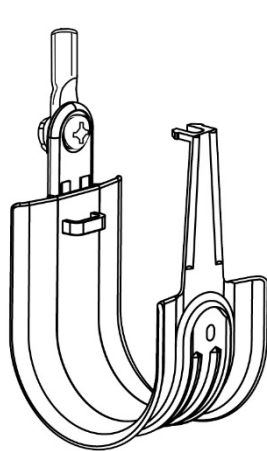


Fig.1

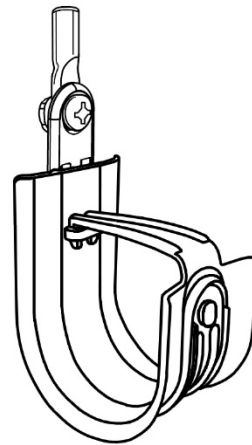


Fig.2

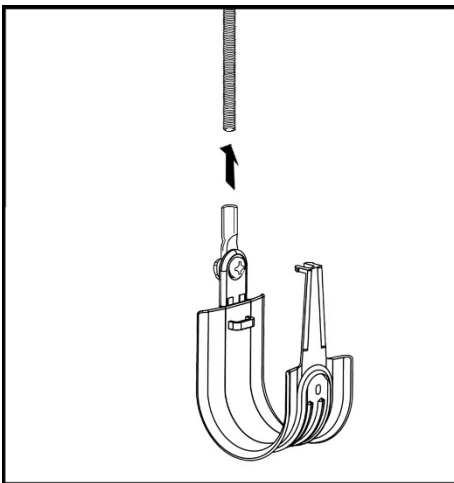


Fig.3

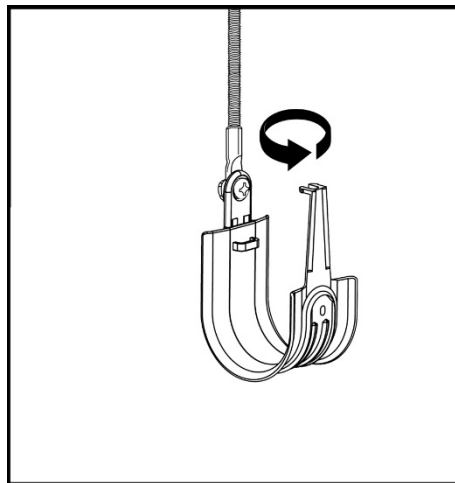


Fig.4

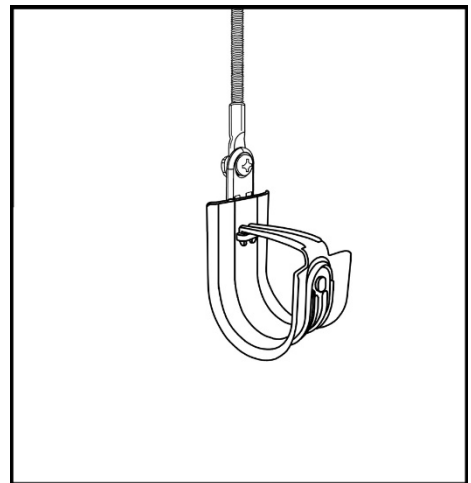


Fig.5

Part No.	Hook Size	Fig. No.	Load Rating		Description
			LBS.	N	
HPH16EH	1"	1 & 2	20	88.96	1" End Hook ¼-20 HPH J-Hook, size 16
HPH32EH	2"		20	88.96	2" End Hook ¼-20 HPH J-Hook, size 32
HPH48EH	3"		20	88.96	3" End Hook ¼-20 HPH J-Hook, size 48
HPH64EH	4"		20	88.96	4" End Hook ¼-20 HPH J-Hook, size 64

All HPH J-Hooks on pages 6 through 15 are special order. Call us for details and lead times.

\* Consult the manufacturer's instructions and load ratings before using on your application.